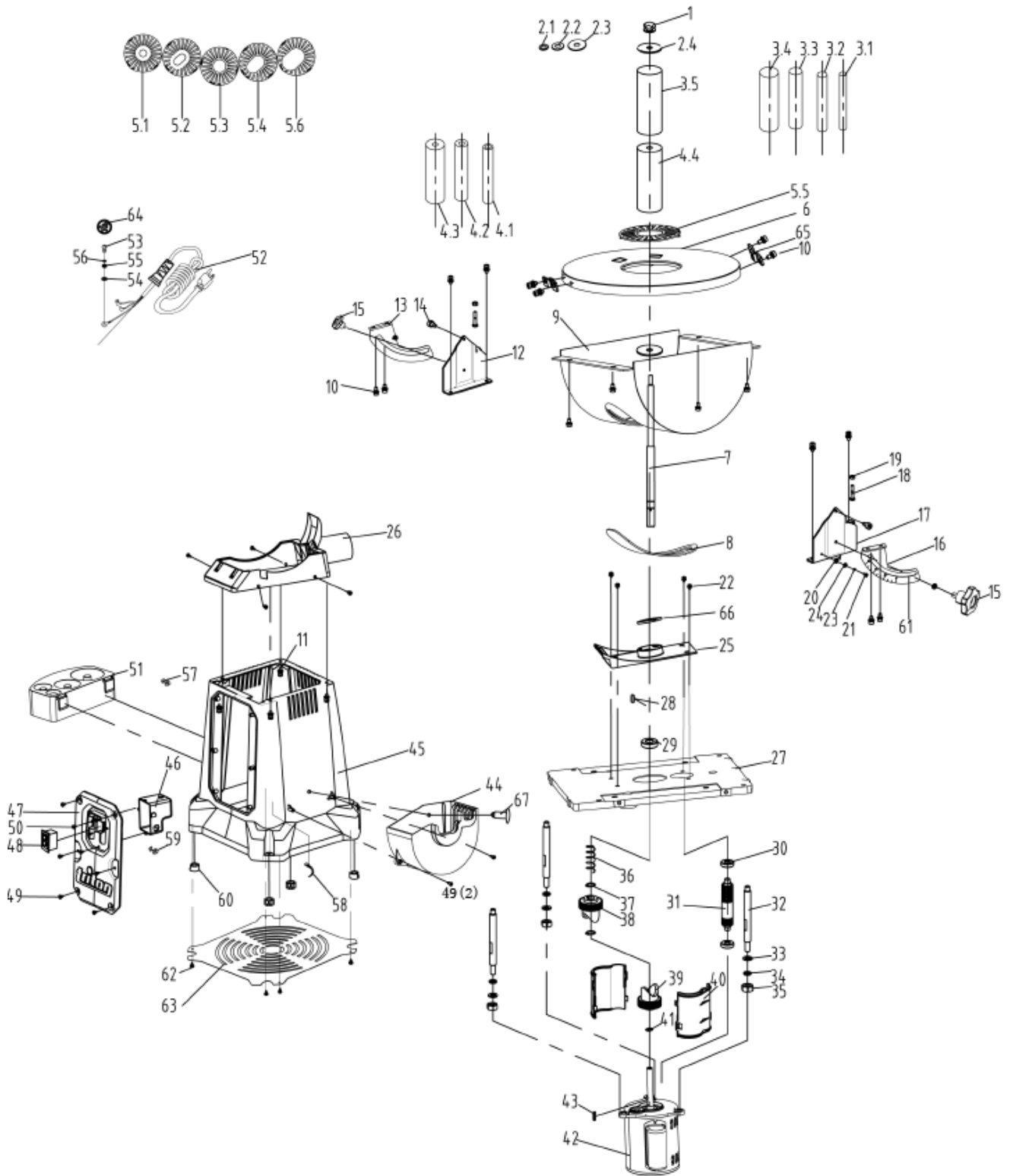




TSPS370 – TRITON SPINDLE SANDER EU



No.	Description
1	KNOB
2.1	¾" WASHER
2.2	1" WASHER
2.3	1-½" WASHER
2.4	2" WASHER
3.1	DRUM SLEEVE 1
3.2	DRUM SLEEVE 2
3.3	DRUM SLEEVE 3
3.4	DRUM SLEEVE 4
3.5	DRUM SLEEVE 5
4.1	RUBBER DRUM 1
4.2	RUBBER DRUM 2
4.3	RUBBER DRUM 3
4.4	RUBBER DRUM 4
5.1	TABLE INSERT 1
5.2	ADJUSTABLE TABLE INSERT 1
5.3	TABLE INSERT 2
5.4	ADJUSTABLE TABLE INSERT 2
5.5	TABLE INSERT 3
5.6	ADJUSTABLE TABLE INSERT 3
6	TABLE
7	SANDER SHAFT
8	UPPER DUST PLATE
9	DUST CHUTE
10	SCREW
11	SCREW
12	LEFT TABLE SUPPORT
13	LEFT ANGLE BRACKET
14	ROTATING SCREW
15	ADJUSTABLE HANDLE
16	RIGHT ANGLE BRACKET
17	RIGHT TABLE SUPPORT

18	HEAD BOLT
19	HEX NUT
20	POINTER
21	HEX PAN HEAD SCREW
22	CROSS PAN HEAD SCREW
23	SPRING WASHER
24	FLAT WASHER
25	LOWER DUST PLATE
26	PROTECTION COVER
27	MOTOR BASE
28	DOUBLE ROUND HEAD KEY
29	BALL BEARING
30	BALL BEARING
31	GEAR SHAFT
32	MOTOR SHAFT
33	FLAT WASHER
34	SPRING WASHER
35	HEX NUT
36	COMPRESSION SPRING
37	CIRCLIP FOR SHAFT
38	FLANGE BEVEL GEAR
39	FLANGE STRAIGHT GEAR
40	SOUND INSULATION COVER
41	CIRCLIP FOR SHAFT
42	MOTOR
43	A TYPE ROUND FLAT KEY
44	TABLE INSERT AND WASHER BOX
45	BASE
46	SWITCH BOX
47	FRONT PANEL
48	SWITCH
49	CROSS PAN HEAD TAPPING SCREW
49.2	CROSS PAN HEAD TAPPING SCREW
50	CROSS PAN HEAD TAPPING SCREW
51	RUBBER DRUM BOX
52	POWER CORD

53	HEX PAN HEAD SCREW
54	SERRATED WASHER
55	FLAT WASHER
56	SPRING WASHER
57	STRAIN RELIEF
58	NYLON RIBBON
59	STRAIN RELIEF
60	FOOT PAD
61	FLAT WASHER
62	COUNTERSUNK TAPPING SCREW
63	BASE COVER
65	FIXED PLATE
67	PLASTIC RIVET